

# Ceiling LED Pendant

**PD9527**  
INSTALLATION SHEET

## START FROM HERE

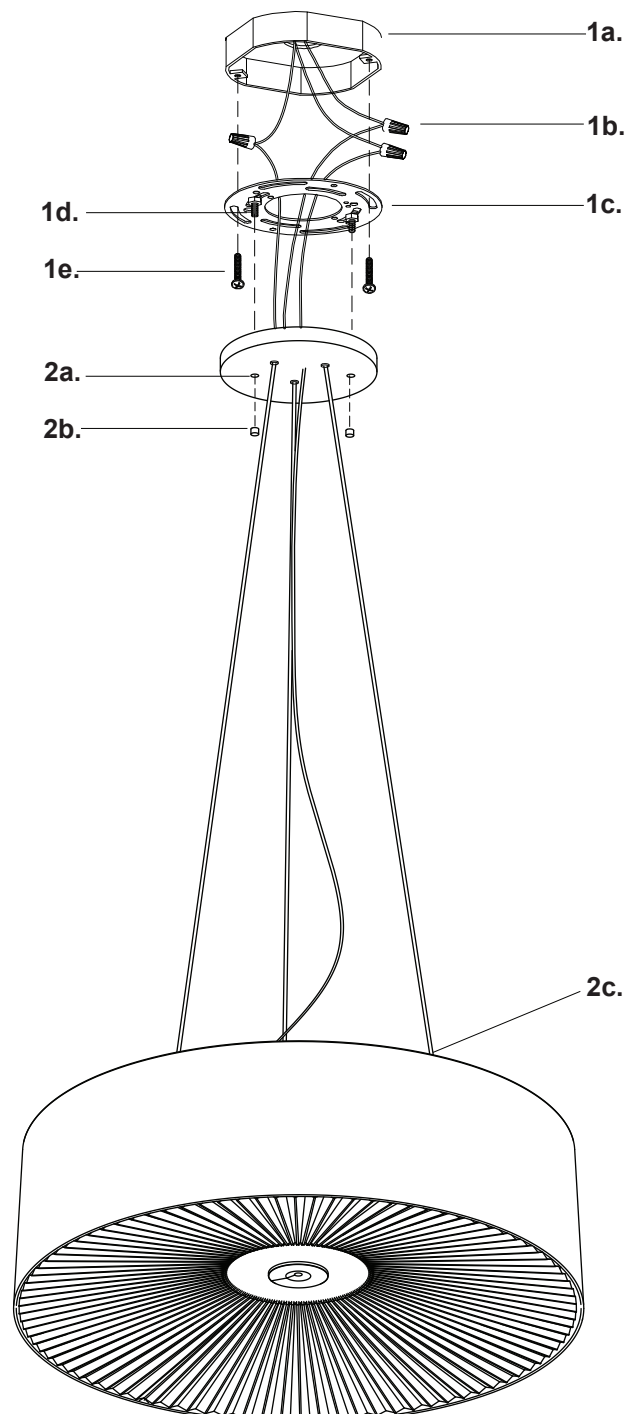
- Make sure power is completely off at the fuse box.
- Have your fixture installed by a qualified licensed electrician
- Prepare everything in a clear area.
- Wear gloves at all times during this installation.
- Read instructions carefully before you start assembly.
- Keep this instruction sheet for future reference.

**Technical Support:** 1-877-452-6858

### Please Note:

- All Kuzco LED fixtures come with pre-wired LED module(s).
- Unless instructed to do so, please do not touch any part of the LED module(s) as any unnecessary contact with the module could cause permanent damage.
- For dimming, an ELV (Electronic Low Voltage) type of dimmer is required.

- 1.** Remove the fixture from its original packaging. Next, remove the canopy mounting plate (**1c**) from within the canopy (**2a**) by unthreading the two decorative nuts (**2b**).
- 2.** Install the two screws (**1e**) provided to secure the mounting plate to the junction box (**1a**). Select the desired length you would like the fixture to hang down from the ceiling (72" maximum). To set the fixture hanging height, simply shorten the cables at the bottom (**2c**).
- 3.** You are now ready to mount the canopy to the mounting plate. First connect all wires (**1b**) correctly black to black "L", white to white "N" and the ground wire with provided marrets from the hardware package. Align the mounting plate screws (**1d**) with the two holes on the surface of the canopy (**2a**). Next, thread on the two nuts (**2b**) on to the mounting plate screws (**1d**), this will secure the canopy to the mounting plate, careful not to over tighten.
- 4.** You have now completed the installation of your fixture, enjoy.



**KUZCO**  
LIGHTING

19054 28th Avenue Surrey, BC Canada V3S 6M3  
T: 604 538 7162 TF: 1-855 85 KUZCO F: 604 538 7196  
W: kuzcolighting.com  
20160616